

# 8534

## Scoop Proof Fire Wall Connector



### Description

- **Stainless steel screw coupling connector designed for use in aviation engine harsh environments:**
  - High vibration resistant
  - High temperature resistant (260° C)
  - Fire proof (1100° C)
- **Scoop proof design to enable blind mating.**
- **Qualified to Rolls-Royce ESC11 standard, and per PrEN4067 standard project.**
- **Fully interchangeable and intermateable with ESC16 / 8536 connectors (integrated backshell version).**
- **Large array of crimp contact:** (same as for 8533 Series)
  - Standard size 12, 16 and 20 contacts
  - Thermocouple size 12, 16 and 20 contacts
- **Fuel tank version available upon request.**

### Applications

- Engine
- Landing gear
- Hydraulic systems

### Technical features

#### Mechanical

- **Shell:** Passivated stainless steel.
- **Grommet and seal:** Silicon elastomer.
- **Insulator:** Thermoplastic.
- **Contact body:** Copper Alloy.
- **Contact plating:** Gold Over Nickel.
- **Contact retention:**
  - Size 20: 90 N
  - Size 16: 111 N
  - Size 12: 133 N
- **Mating cycles:** 500 mating / unmating operations.
- **Vibration & shock:** According to JES290-083: 41 grms, 2x8 hours

### Electrical

- **Dielectric withstanding:**

Altitude	Service
Alt ground	1500 Vrms
15 000 m	600 Vrms
21 000 m	400 Vrms
33 000 m	200 Vrms

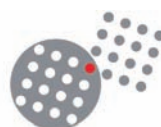
- **Insulation Resistance:** 5000 MΩ under 500 Vdc.
- **Max current rating per contact:**
  - Size 20: 7.5 A
  - Size 16: 13 A
  - Size 12: 23 A
- **Contact resistance:** 1 mΩ.
- **Electrical continuity:** 5mΩ with RFI shielding (6SE class).
- **Shielding:** To 100 MHz at 1 GHz Attenuation ≥ 65dB.

### Environmental

- **Temperature range:** - 65°C +260°C
- **Leakage: low pressure immersion.** L 54001 and interfacial sealing: pressure 2 kpa.
- **Salt Spray:** 500 hours.
- **Fire resistance:** As per EN 2591-318: 6 min under a 1100° C flame without electrical perturbation, plus 14 min with no flame propagation.

### Resistance to fluid

MIL-H 5606 - SKYDROL 500 B4-LD4  
 JP5-MIL-L7870A - MIL L 23699  
 MIL-L 7808 - MIL C 25769 - MIL-A 8243.



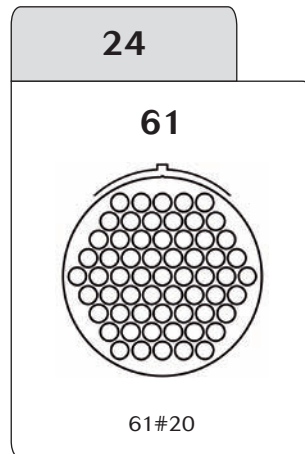
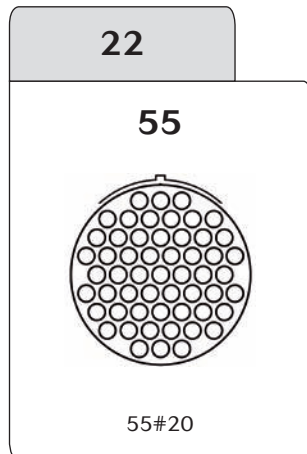
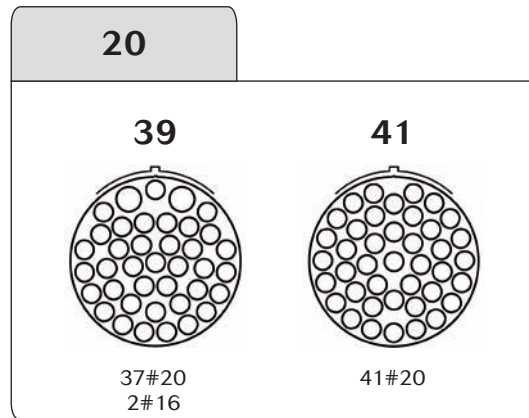
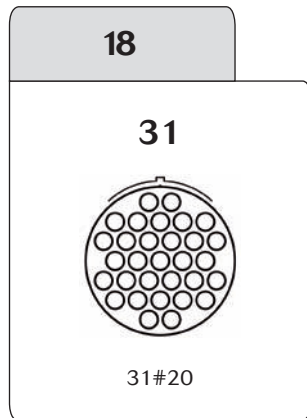
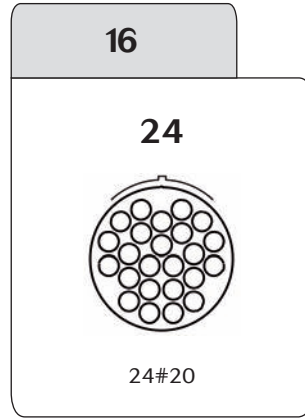
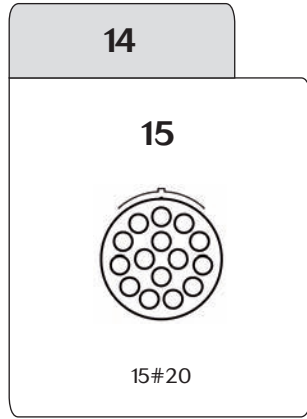
**SOURIAU**  
 Connection Technology

# 8534

## Scoop Proof Fire Wall Connector



### Contact layouts



# 8534

## Scoop Proof Fire Wall Connector



### Ordering information

Basic Series	8534	6SE	14	15	S	N	L
Shell type:							
0SE:	Square flange receptacle						
6SE:	Plug with RFI screening ring						
6KE:	Plug without RFI screening ring						
Shell size:	14, 16, 18, 20, 22, 24						
Contact layout	(see page 2)						
Contact type:							
P: Pin	A: Connector supplied less pin contact						
S: Socket	B: Connector supplied less socket contact						
Orientation:	N, 6, 7, 8, 9 (see page 5)						
Specification:							
L:	Delivered without contacts						
Without index:	Delivered with standard contacts						

Basic Series	ESC11	SE	6	14	15	P	N	0
Shell class:								
SE:	Passivated stainless steel 260°C							
KE:	Passivated stainless steel 260°C, plug without RFI ring							
YE:	Passivated stainless steel 260°C, hermetic receptacle							
Shell type:								
0:	Square flange receptacle							
6:	Plug							
2:	Square flange receptacle hermetic							
1:	Solder receptacle hermetic							
3:	Jam nut receptacle hermetic							
Shell size:	14, 16, 18, 20, 22, 24							
Contact layout	(see page 2)							
Contact type:								
P: Pin								
S: Socket								
Polarization								
Variant identifier:								
0:	Delivered without contacts							

### Cross reference list Souriau versus PrEN4067

PrEN4067	Souriau	Short description
EN4067SE6●●●●B□	85346SE●●●●B□	Plug with FRI screening ring for socket contacts, delivered without contact
EN4067SE6●●●●F□	85346SE●●●●S□	Plug with FRI screening ring for socket contacts, delivered with contacts
EN4067SE6●●●●A□	85346SE●●●●A□	Plug with FRI screening ring for pin contacts, delivered without contact
EN4067SE6●●●●M□	85346SE●●●●P□	Plug with FRI screening ring for pin contacts, delivered with contacts
EN4067SE0●●●●B□	85340SE●●●●B□	Square flange receptacle for socket contacts, delivered without contact
EN4067SE0●●●●F□	85340SE●●●●S□	Square flange receptacle for socket contacts, delivered with contacts
EN4067SE0●●●●A□	85340SE●●●●A□	Square flange receptacle for pin contacts, delivered without contact
EN4067SE0●●●●M□	85340SE●●●●P□	Square flange receptacle for pin contacts, delivered with contacts
EN4067KE6●●●●B□	85346KE●●●●B□	Plug without FRI screening ring for socket contacts, delivered without contact
EN4067KE6●●●●F□	85346KE●●●●S□	Plug without FRI screening ring for socket contacts, delivered with contacts
EN4067KE6●●●●A□	85346KE●●●●A□	Plug without FRI screening ring for pin contacts, delivered without contact
EN4067KE6●●●●M□	85346KE●●●●P□	Plug without FRI screening ring for pin contacts, delivered with contacts

●●●● Shell size and contact layout □ Orientation

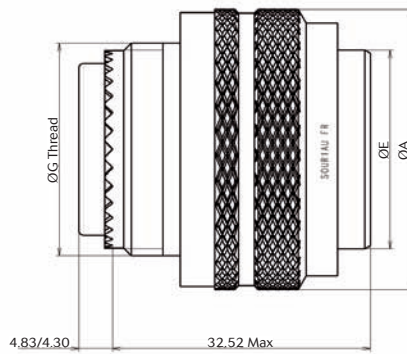
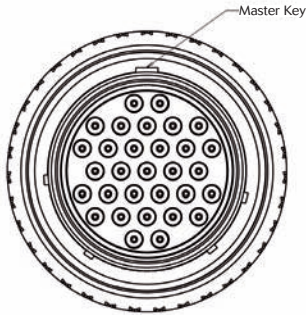
# 8534

## Scoop Proof Fire Wall Connector



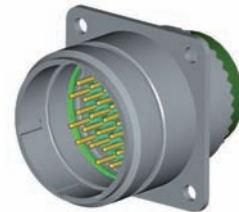
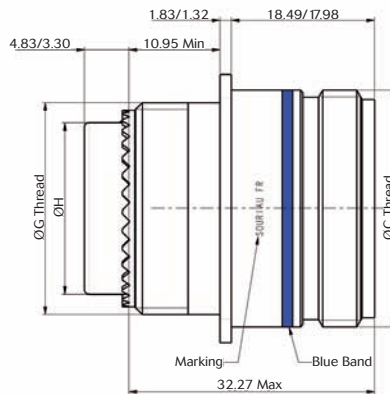
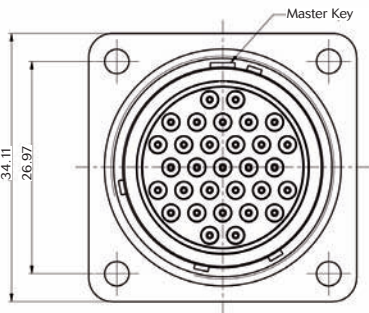
### Dimensions

#### Plug (Shell type 6SE & 6KE)



Shell size	ØG Thread Class 2A	ØA Max	ØE <sup>+0</sup> / <sub>-0.13</sub>
08	0.500-20UNEF	21.30	10.29
10	0.625-24UNEF	24.89	13.36
12	0.750-20UNEF	29.59	17.68
14	0.875-20UNEF	31.24	19.43
16	1.000-20UNEF	34.42	22.66
18	1.0625-18UNEF	37.34	25.35
20	1.1875-18UNEF	41.91	28.52
22	1.3125-18UNEF	44.07	31.70
24	1.4375-18UNEF	47.24	34.87
28	1.750-18UNS	55.24	41.22

#### Square Flange Receptacle (Shell type OSE)



Shell size	ØC Thread	ØG Thread	ØH Max
08	0.5625-24UNEF	0.500-20UNF	7.75
10	0.6875-24UNEF	0.625-24UNEF	0.29
12	0.875-20UNEF	0.750-20UNEF	3.49
14	0.9375-20UNEF	0.875-20UNEF	6.89
16	1.0625-18UNEF	1.000-20UNEF	20.07
18	1.1875-18UNEF	1.0625-18UNEF	22.07
20	1.3125-18UNEF	1.1875-18UNEF	25.25
22	1.4375-18UNEF	1.3125-18UNEF	28.42
24	1.5625-18UNEF	1.4375-18UNEF	31.60
28	1.8125-16UNEF	1.750-18UNS	37.21

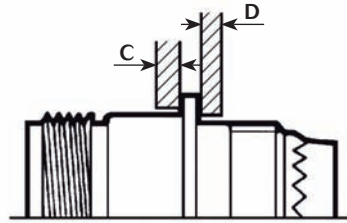
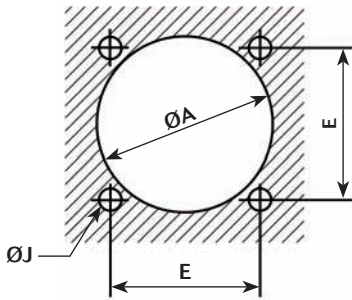
Dimensions in mm

# 8534

## Scoop Proof Fire Wall Connector



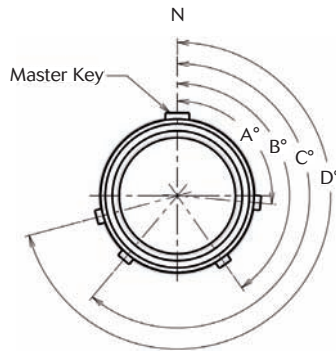
### Panel Cut Out (Receptacle shell type OSE)



Shell size	A min	E	J	C max	D max
08	15.80	15.09	3.20	3.18	3.18
10	18.70	18.26			
12	23.40	20.62			
14	24.90	23.01			
16	28.30	24.61			
18	31.10	26.97			
20	34.50	39.36			
22	37.50	31.75	3.80		
24	40.60	34.92			
28	48.00	39.67			

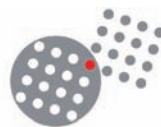
Dimensions in mm

### Orientation



Front face view of plug

Shell size	Angles	N	6	7	8	9
14	A°	95	101	18	26	120
	B°	145	168	136	156	161
	C°	220	211	208	208	225
	D°	255	342	268	276	336
16	A°	95	101	18	-	-
	B°	145	168	136	-	-
	C°	220	211	208	-	-
	D°	255	342	268	-	-
18	A°	95	101	-	-	-
	B°	145	168	-	-	-
	C°	220	211	-	-	-
	D°	255	342	-	-	-
20	A°	95	101	18	26	-
	B°	145	168	136	156	-
	C°	220	211	208	208	-
	D°	255	342	268	276	-
22 & 24	A°	95	101	18	26	-
	B°	145	168	136	156	-
	C°	220	211	208	208	-
	D°	255	342	268	276	-



**SOURIAU**  
Connection Technology

For further information, visit our web site [www.souriau.com](http://www.souriau.com)  
or contact us at [contactmilaero@souriau.com](mailto:contactmilaero@souriau.com)